

Zone Guardian



Sale Engineering Products is excited to be able to supplement its existing Flow Test Assembly range with the more advanced ZONE GUARDIAN. This product is now both LPCB and FM approved and CE marked.

The ZONE GUARDIAN is a device which allows the mandatory quarterly testing of a wet-pipe fire sprinkler system's waterflow detector (flow switch) to be carried out remotely, saving both time and cost for end-users and fire sprinkler maintenance contractors.

The unit ensures zero wastage of water by the use of an artificial water flow created using a high-efficiency self-venting circulator pump manufactured by a global supplier.

ZONE GUARDIAN is available in pipe sizes from 2"/50mm up to 6"/150mm and includes - as well as the circulator pump - a Potter VSR vane-type flow switch with adjustable retard and ball valves for vent, test and pump isolation., all mounted on 450mm long BS EN 10255 coated pipe with grooved connections each end.

The assembly may be installed horizontally (with flow switch on top) or vertically (with upward flow).

An electronic key-operated test module is included to allow testing of both the local and any interconnected waterflow detectors.

Options include left- or right-hand orientation, retro-fit kits, custom colours - in fact, as standard with Sale Engineering, just call us and if it's possible we'll endeavour to do it for you.

We are confident that our new ZONE GUARDIAN, backed up by SEP's history of providing quality products to the market and of course two independent approvals, provides a viable alternative to the fire sprinkler industry.

ZONE GUARDIAN is stocked by and available through our exclusive distributor, Zeffire Ltd, as well as directly from SEP.



Continued overleaf

Specification:

Pressure rating: 12 bar (175psi)
 Pipe sizes: 2"/50mm, 2 1/2"/65mm, 3"/80mm, 4"/100mm, 6"/150mm
 Approvals: LPCB Cert Ref: 1423a/01

Flow switch (Potter VSR-EU):

Trigger flow rate: 38lpm with up to 30s retard
 Enclosure rating: IP54
 Contact rating: 10A @ 125/250VAC; 10mA @ 24VDC

Circulator Pump:

Voltage: 230VAC 50Hz
 Power: 60W max
 Current: 0.58A max

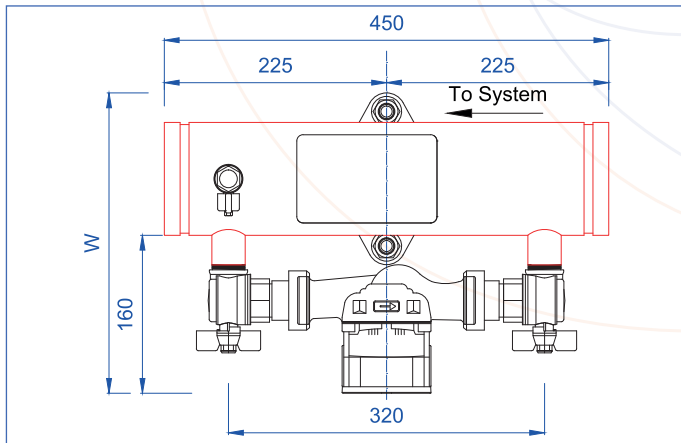
Test module:

Surface-mounted, key-operated multi-function (see photo at right)
 Voltage in: 230VAC 50Hz
 Voltage out: 230VAC 50Hz (local) or 24VDC (interconnect)
 LEDs: Green: power/standby; Amber: test in progress; Red: flow switch active
 IP rating: 56

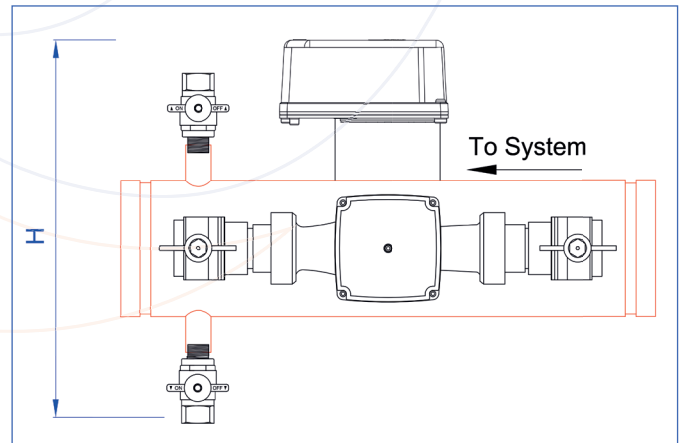


Dimensions & Weights

PLAN (right-handed)



FRONT ELEVATION (right-handed)



Pipe NB (mm)	Pipe NB (in)	W (mm)	H (mm)	Net Weight (kg)	Packed Weight (kg)
50	2	253	267	8.0	11.5
65	2 1/2	262	279	8.5	12.0
80	3	274	296	10.0	13.5
100	4	300	320	11.5	15.0
150	6	354	371	15.5	19.0