

Fire Pump Controllers

SEP is proud to be able to regularly add to our growing range of products, and from April 2022 we are now appointed distributors for this high-functioning Fire Pump Controller from Lovato.

Lovato's FFL...EP (electric pump) and FFL..DP (diesel pump) controllers integrate all necessary features required by EN12845 standard.

Operation from the front panel is simple and intuitive, thanks to the display screen, dedicated LEDs and pushbuttons. The backlit graphic LCD display ensures high visibility even in low light conditions.

The power lines and electric motor are completely monitored by the electronic board.

The controller offers a comprehensive three-phase electric measurement set providing voltages, currents, powers, PF and all the parameters that give a clear indication of the pumping system status. All the settings for the voltage and current sensors are made via parameter programming.

Commissioning and maintenance is made easy by dedicated display pages.

The main hardware features (expandability, alarm monitoring, communication etc) are common to both electric and diesel pump controllers, allowing perfect integration of the two systems. All meaning less wiring, fewer components and less programming to set up the system.

The controller constantly monitors the pump room temperature using the integrated, or an external, temperature sensor. The electronic boards inside the controller and in the expansion modules are tropicalized, ensuring the safety and the integrity of the devices in the presence of humidity.

Features & Benefits – All Models

- Backlit graphic LCD display with multilingual text (5 languages)
- Dedicated page for lamp test and commissioning
- Dedicated page for jockey pump monitoring
- 7 LED indicators (running, main status, electric motor status, starting request, global alarm, failure to start, stop enabled/automatic start excluded) – 2 additional indicators on diesel controller for battery.
- Multiple programmable digital inputs and outputs
- Tropicalized PCB ensuring integrity in high humidity
- Automatic starting sequence in accordance with BS EN 12845
- Communication interface by front optical port with CX01 and CX02 dongle using USB or Wi-Fi connections
- NFC contactless interface for programming via APP
- Isolated RS485 serial port for supervision (compatibility with Synergy and Synergy Cloud software)
- Expandability with EXP... modules



FFL800EP

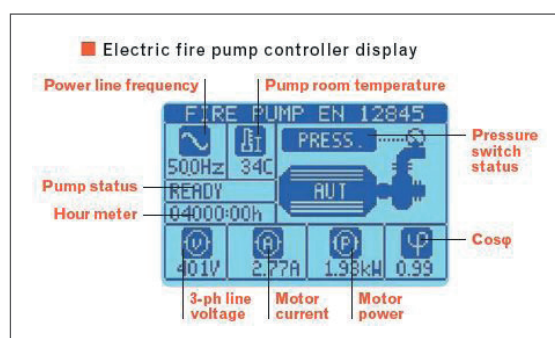


FFL800DP



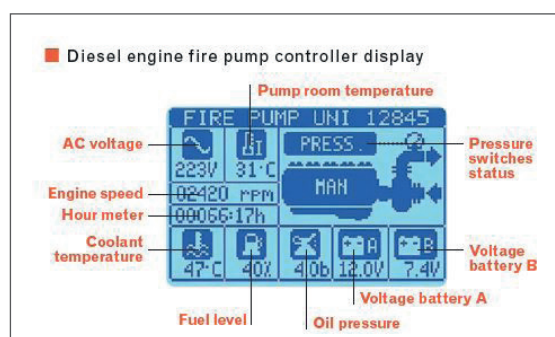
Features & Benefits – Electric Pumps

- Electric motor control, monitoring and protection
- Three-phase line voltage and motor current inputs
- Ability to control single- or three-phase pumps



Features & Benefits – Diesel Pumps

- Engine control, monitoring and protection
- Dual DC power from two separate batteries (12/24VDC)
- Input of single-phase AC voltage measurement for network monitoring
- 3 programmable resistive sensors



Operational characteristics	FFL800EP	FFL800DP
Power supply voltage	24VAC and 110-240VAC	Auxiliary 110-240VAC
Battery Power Supply	-	12/24VDC / range 7.5-33VDC / min start 5.5VDC
Power line voltage inputs	Three-phase, 100-600VAC 50/60Hz	-
Motor current inputs	Three-phase, CT /1A or /5A	-
Starting methods	Star-delta, direct, soft start	-
Three-phase electric measures	Volts, current, active/reactive/apparent power, P.F.	-
NTC probe temperature input	Measuring range -40...+85°C	
Programmable resistive input	-	Coolant temp, oil pressure, fuel level
Programmable digital inputs	8 - Negative	10 - Negative
Programmable relay outputs	9	10
Programmable static outputs	1	
Expandability with EXP modules (2 slots)	Yes	
RS485 port	Built-in	
Real time clock	Built-in	
Compatible software	Sam1, Xpress, NFC, synergy, SynergyCloud	
Degree of protection	IP 20 at rear. IP65 on front	
Operating temperature	-25...+70°C	
Flush-mount housing	180x240mm	
Standards Compliance	UNI EN 12845, IEC/EN 61010-1, IEC/EN 61010-2-030, IEC/EN 61000-6-2, IEC/EN 61000-6-3	